

JDM-WRD-7102-KIT

(for BOEING, AIRBUS aircraft)

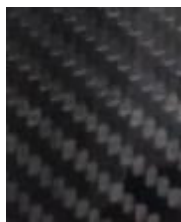
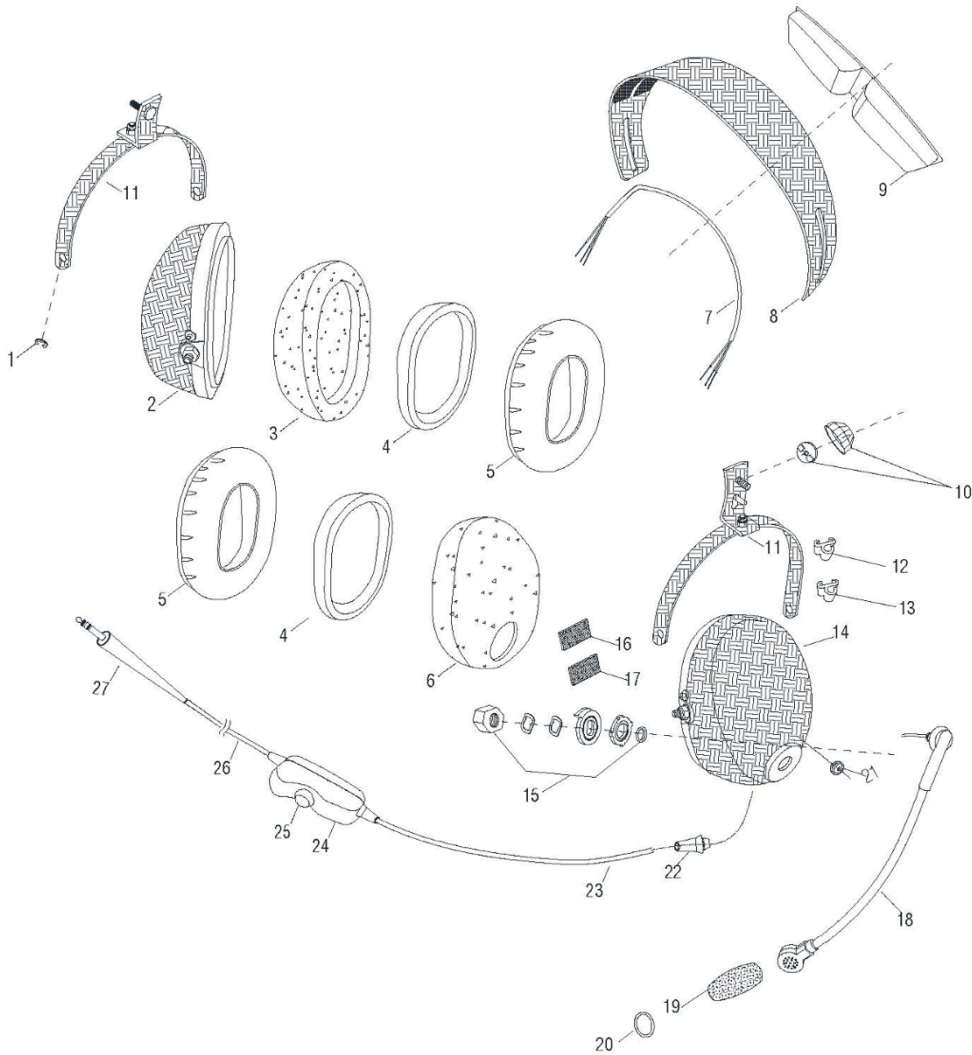
GROUND SUPPORT HEADSET

Wired Headset



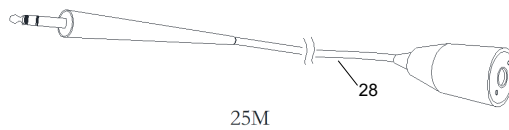
EXPLODED VIEW AND DISASSEMBLY INSTRUCTIONS

PARTS LIST MODEL **JDM-WRD-7102-KIT**



Carbon Fibre

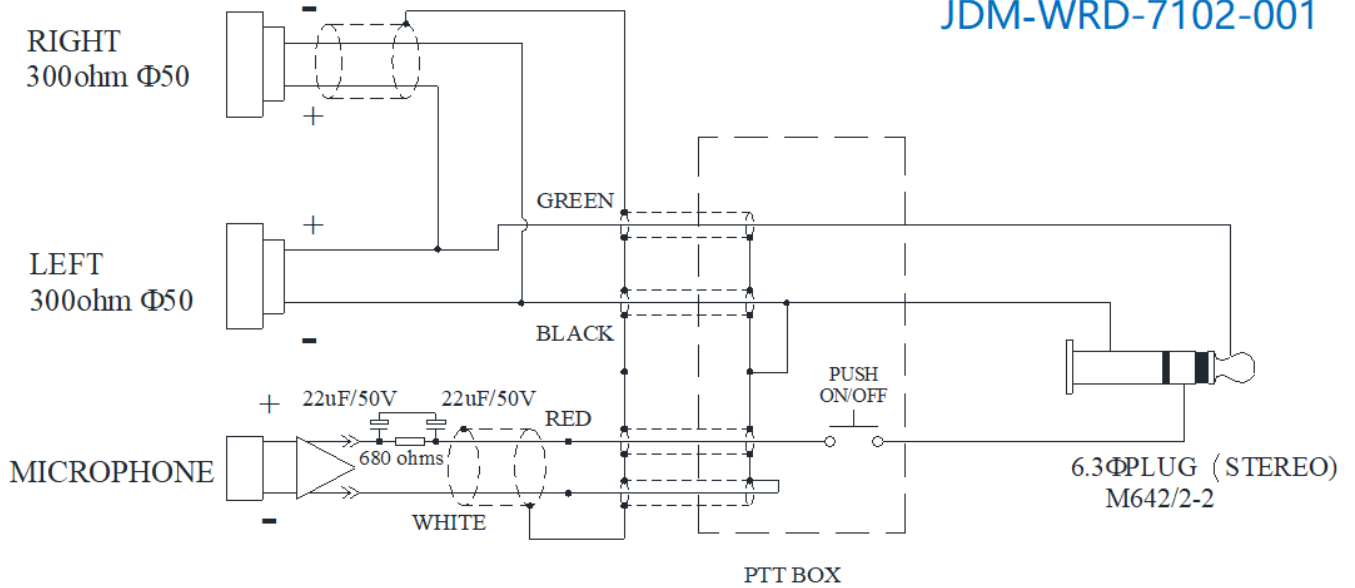
JDM-CRD-7102-001



25M

HEADSET SCHEMATIC DIAGRAM

JDM-WRD-7102-001



Specifications

Headphone

Type: Dynamic (Φ50)

Frequency Response: 100Hz to 8 kHz

Sensitivity: 95±5 dB SPL (1 kHz, 1 mW input per earcup side)
full volume on ear simulator

Impedance: 150 ohms (300 ohms each; wired in parallel)

Rate Input: 100mW

Max. Input: 250mW

Microphone and Amplifier:

Element Type: Noise-canceling Amplified Dynamic Microphone

Frequency Response: 150Hz to 5kHz

Operating Voltage (supplied by aircraft): 8-32 Volts DC

Matching Impedance: 75- 1000 ohms

Sensitivity: - 15±4 dB

(ref: 0dB SPL=20.0uPa at 1 kHz with 10 Vdc 150 ohms AC load)

General:

Temperature: Operating: - 25 to 60°C
Storage: -50 to 65°C

Cordage:

[JDM-WRD-7102-001](#) Cord from headset to molded plug, 100CM Intercom

Connections:

Plug (.25" 6.3Φ plug) M642/2-2

25 m. Extension Chord

Ptt Switch

Weights:

[JDM-WRD-7102-001](#)-----275g

Headset size range

Height: 10 to 14 cm

Boom:

Flexible Boom